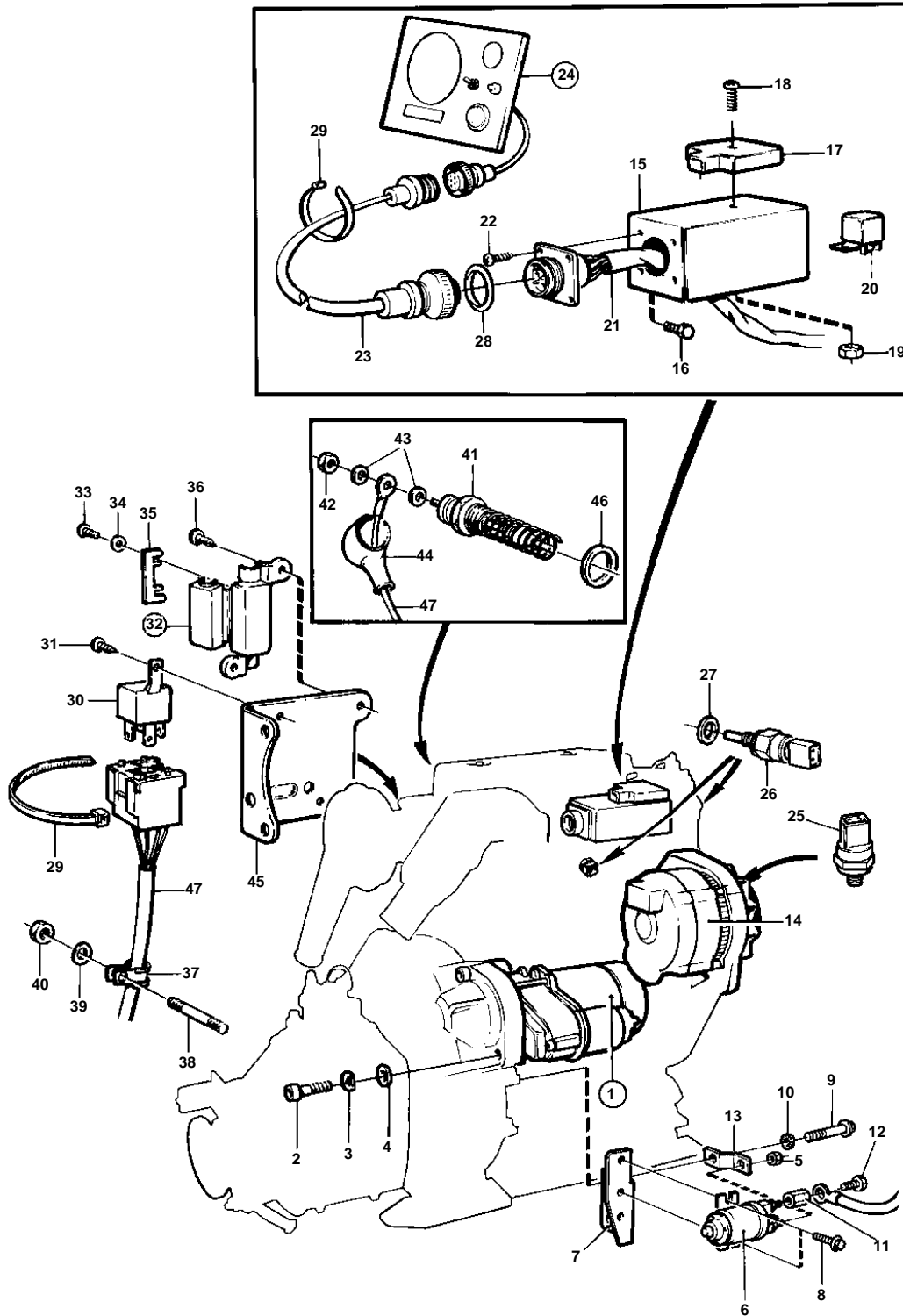


2002D,2003D



11363

2002D,2003D

REF	PART NO.	QTY	DESCRIPTION	SEE SEC.	NOTES
1	834339	1	Starter motor		
	3803074	1	Starter motor, exch		Exchange unit
				030-1140	
2	959257	2	Screw		
3	940280	2	Spring washer		
4	943194	2	Washer		
5	955782	1	Nut		M8
6	872242	1	Relay		
7	861317	1	Bracket		
8	965198	2	Screw		
9	946441	2	Screw		
10	945987	1	Lock washer		
11	855314	1	Nut		
12	946440	1	Flange screw		
13	860878	1	Current bar		
14		1	ALTERNATOR AND INSTALLATION COMPONENTS	030-0820	
15	840672	1	Attaching plate		
16	941793	2	Screw		
17	824823	1	Fuse box		
18	955247	1	Screw		
19	955780	1	Nut		
20	876037	1	Relay kit		12V/30A
21	860143	1	Wiring harness		
22	955119	4	Screw		
23	846648	X	Extension cable		L = 3000 MM
	846649	X	Extension cable		L = 5000 MM
	846650	X	Extension cable		L = 7000 MM
24	872797	1	Instrument panel		
				030-1342	
25	863169	1	Pressure monitor		
26	858229	1	Thermo monitor		
27	947624	1	Gasket		
28	846615	X	Sealing ring		
29	948210	X	Strip clamp		
30	860339	1	Relay		12V/50A
31	955138	1	Screw		
32	876586	1	Fuse holder		
33	956075	2	· Screw		
34	941905	2	· Spring washer		
35	77796	1	· Fuse		50A
36	955138	2	· Screw		
37	946834	1	Clamp, FLYWHEEL COVER		
38		1	STUD, FLYWHEEL COVER		SEE GROUP 2A
39		1	WASHER, FLYWHEEL COVER		SEE GROUP 2A
40		1	NUT, FLYWHEEL COVER		SEE GROUP 2A
41	872749	1	Glow plug		SEE GROUP 2A
42		1	· NUT		M5
43	940090	2	Washer		
44	673580	1	Rubber collar		
45	861084	1	Bracket		
46	18830	1	Gasket	IK	SEE GROUP 2A
47	872772	1	Cable kit, PRE HEATING		
		X	CABLES AND TERMINALS	030-1351	